

Conant Wall**WB1827 I.0**GENERATION LIGHTING
WALL**GENERAL PRODUCT INFORMATION:**

These fixtures are intended to be installed utilizing NEC compliant junction boxes.

This product is safety listed for damp locations.

Incandescent lamps may be dimmed with a standard incandescent dimmer.

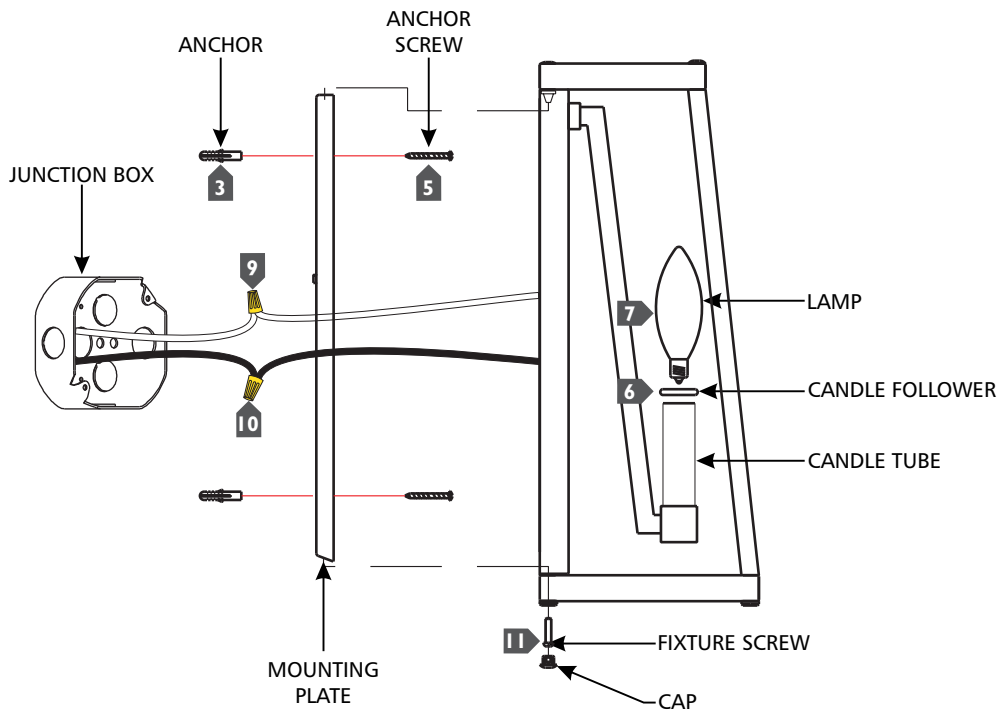
LED lamps may be dimmed with a LED dimmer. Consult lamp manufacturer for additional information.

This instruction shows a typical installation.

CAUTION - RISK OF FIRE

This product must be installed in accordance with the applicable installation code by a person familiar with the construction and operation of the product and the hazards involved.

Use minimum 90°C supply conductors.

IA

- 1** Temporarily install the mounting plate to the junction box.
- 2** Mark the anchor hole locations on the mounting plate and remove the mounting plate.
- 3** Drill appropriate size holes at the marked locations and install the anchors.
- 4** Secure the mounting plate to the junction box.
- 5** Screw the anchor screws into the anchors.
- 6** Install the candle follower by placing it on top of the candle tube.
- 7** Screw the lamp into the socket. Refer to the label on the socket for Max Wattage Information.
- 8** Connect the fixture ground wire to a suitable ground in accordance to local electrical codes.
- 9** Connect the white fixture wire to the neutral power line wire with a wire nut.
- 10** Connect the black fixture wire to the hot power line wire with a wire nut.
- 11** Mount the fixture base onto the mounting plate and secure it with the fixture screws, then install the caps over the screws.

GENERATION LIGHTING

7400 Linder Ave., Skokie, IL 60077

T 847.410.4400 | F 847.410.4500

www.generationlighting.com