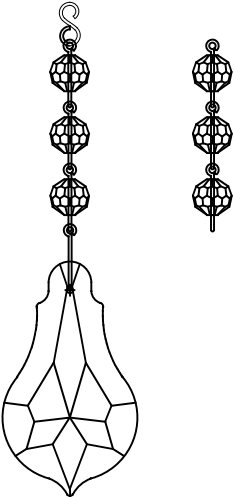
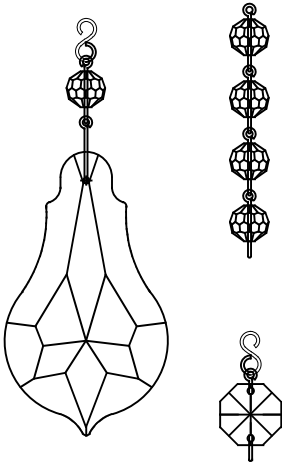
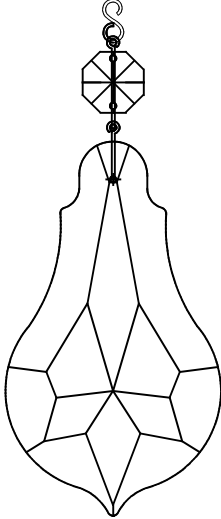
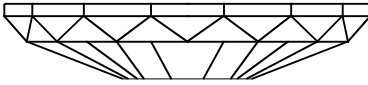
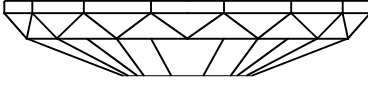
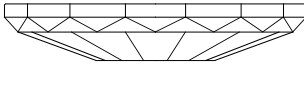
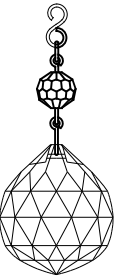
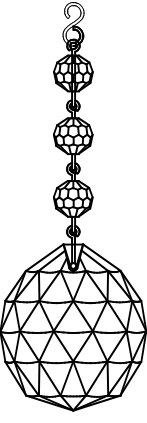


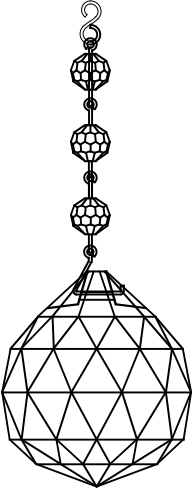

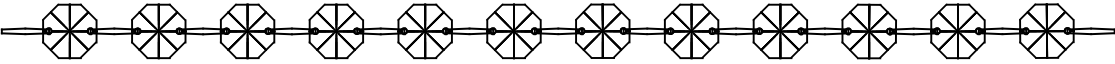
Replacement Crystal Kit for Valentina Collection
 F2478/6, F2479/8+4, F2480/4, WB1449

Qty.	Drawing	Part #/ Description	Note:
2		F2478 - ② 60mm drop + 3 loose Beads	<ul style="list-style-type: none"> - To replace part # ② on F2478/6 - To replace part # ③ on F2478/6 (add 3 beads) - To replace part # ⑤ on F2478/6 (remove 3 beads) - To replace part # ③ on F2479/8+4 - To replace part # ⑥ on F2479/8+4 (remove 2 beads) - To replace part # ⑤ on F2480/4 (remove 2 beads) - To replace part # ③ on WB1449 (remove 2 beads)
2		F2478 - ⑥ 75mm drop + 4 loose Beads + 1 loose Octagon (16mm x 16mm)	<ul style="list-style-type: none"> - To replace part # ⑥ on F2478/6 - To replace part # ⑦ on F2478/6 (replace with octagon crystal) - To replace part # ④ on F2479/8+4 (add 3 beads) - To replace part # ⑦ on F2479/8+4 - To replace part # ⑩ on F2479/8+4 (add 4 beads) - To replace part # ⑥ on F2480/4 (replace with octagon crystal) - To replace part # ② on WB1449
1		F2479 - ⑪ 100mm drop	<ul style="list-style-type: none"> - To replace part # ⑪ on F2479/8+4

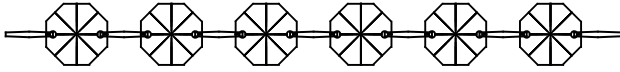
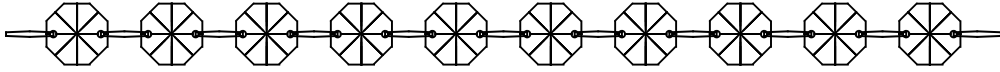
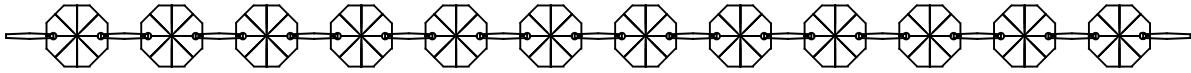
Replacement Crystal Kit for Valentina Collection
 F2478/6, F2479/8+4, F2480/4, WB1449

Qty.	Drawing	Part #/ Description	Note:
2		F2478 - ① 97mm with 25mm center hole Bobeche/ Canopy	- To replace part # ① on F2478/6 - To replace part # ② on F2479/8+4 - To replace part # ⑧ on F2480/4
1		F2479 - ① 97mm with 31mm center hole Canopy	- To replace part # ① on F12479/8+4
1		F2480 - ⑦ 80mm with 25mm center hole Bobeche	- To replace part # ⑦ on F2480/4 - To replace part # ① on WB1449
1		F2480 - ① 30mm Ball	- To replace part # ① on F2480/4
1		F2480 - ② 40mm Ball	- To replace part # ⑨ on F2478/6 (remove 2 beads) - To replace part # ② on F2480/4

Replacement Crystal Kit for Valentina Collection
 F2478/6, F2479/8+4, F2480/4, WB1449

Qty.	Drawing	Part #/ Description	Note:
1		F2479 - ⑫ 50mm Ball	- To replace part # ⑫ on F2479/8+4
1		F2478 - ④ strand with 6 octagons (14mm x 14mm)	- To replace part # ④ on F2478/6 - To replace part # ③ on F2480/4 (remove 1 octagon from each end)
1		F2478 - ⑧ strand with 12 octagons (14mm x 14mm)	- To replace part # ⑧ on F2478/6 - To replace part # ④ on F2480/4 (remove 6 octagons)

Replacement Crystal Kit for Valentina Collection
 F2478/6, F2479/8+4, F2480/4, WB1449

Qty.	Drawing	Part #/ Description	Note:
1		F2479 - ⑤ strand with 6 octagons (16mm x 16mm)	- To replace part # ⑤ on F2479/8+4
1		F2479 - ⑧ strand with 10 octagons (16mm x 16mm)	- To replace part # ⑧ on F2479/8+4
1		F2479 - ⑨ strand with 12 octagons (16mm x 16mm)	- To replace part # ⑨ on F2479/8+4