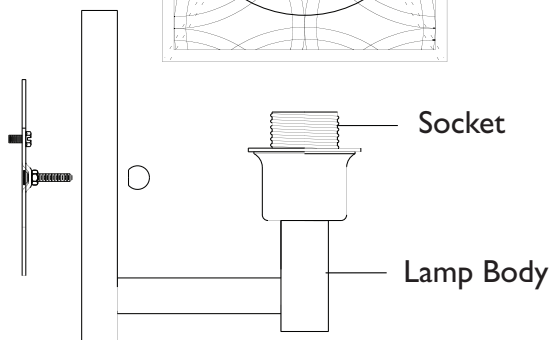
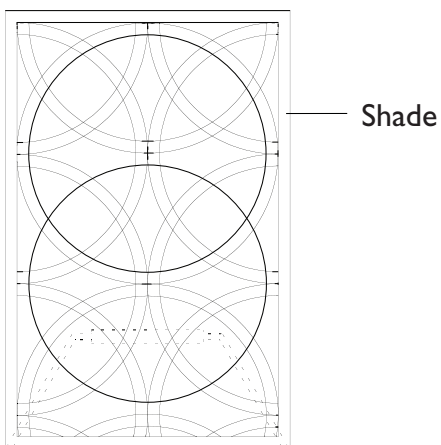
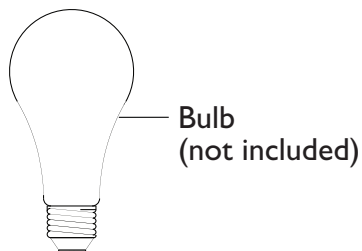


Assembly Instructions For

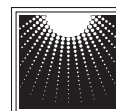
WB1499 (E) 1/10



READ ALL INSTRUCTIONS BEFORE ASSEMBLING LAMP

Carefully unpack lamp parts onto carpeted surface or blanket and identify all parts.

1. Follow enclosed supplement installation instructions for electrical and fixture installation onto house outlet box. If you do not have an outlet box at desired location to attach the fixture than hire a qualified electrician to create one.
2. Install bulb (not included). See relamping label located at socket area for type and maximum allowed wattage.
3. Place shade onto fitter. Secure by placing counter ring onto threaded socket.



**MURRAY
FEISS**

GENERATION
BRANDS™ 