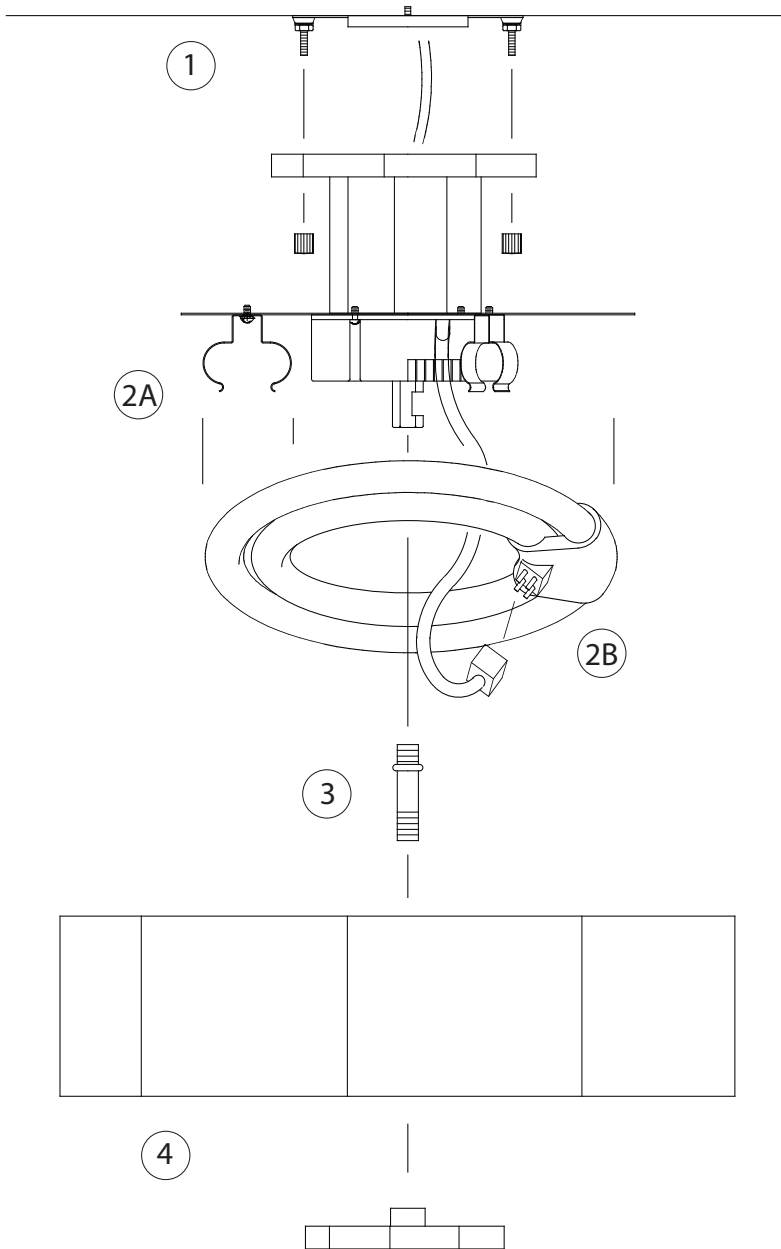


# Assembly Instructions For

# SFES3200 (E) 5/09

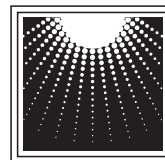


## IMPORTANT

### TURN OFF THE POWER AT THE MAIN FUSE OR CIRCUIT BREAKER BOX BEFORE STARTING INSTALLATION

Carefully unpack and identify all parts before assembly.  
Bulb not included.

1. Follow enclosed supplement installation instructions for electrical and fixture installation onto house outlet box. If you do not have an outlet box at desired location to attach the fixture than hire a qualified electrician to create one.
2. Install fluorescent lamp (included):  
Note: Use only G10q base fluorescent lamp (included). For future reference, see relamping label located at electronic ballast area for type and maximum allowed wattage.  
A. Snap fluorescent lamp firmly into each clips located at bottom of plate. Make certain the side of fluorescent lamp with four pins are facing toward you.  
B. Install wire connector (from ballast) by inserting onto the four pins (on fluorescent lamp).
3. Install long threaded pipe onto bottom of ballast.
4. Slip shade through long threaded pipe, then secure in position by fastening with finial.



**MURRAY**  
**F E I S S**

Generation Brands™