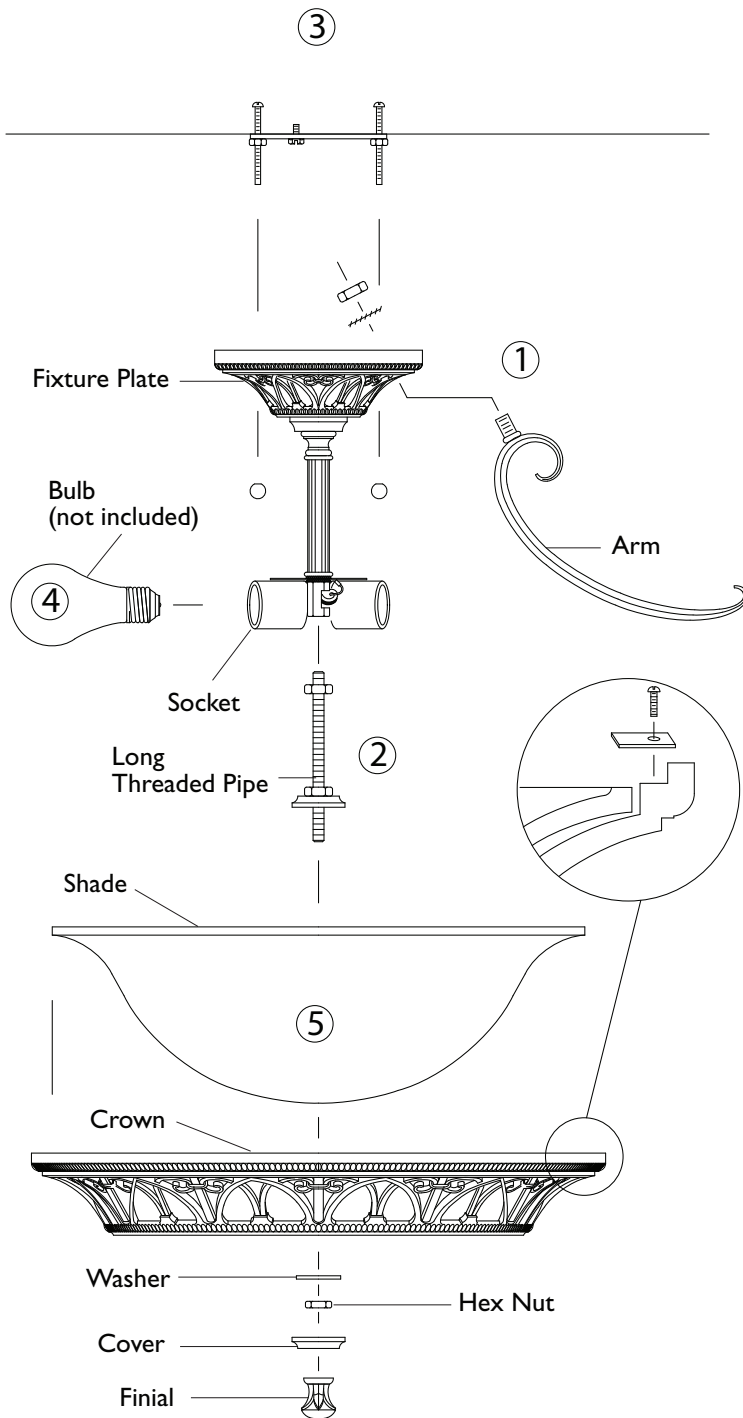


Assembly Instructions For

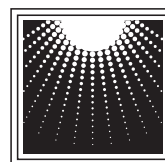
SF255 (E) 3/08



IMPORTANT TURN OFF THE POWER AT THE MAIN FUSE OR CIRCUIT BREAKER BOX BEFORE STARTING INSTALLATION

Carefully unpack and identify all parts before assembly.
Bulb not included.

1. Install upper section of arms onto fixture plate by fastening with washer and hex nut.
2. Install a hex nut onto one end of long threaded pipe leaving about 1/2" (13 mm) thread exposed. Screw same end of threaded pipe into coupler. Tighten hex nut.
3. Follow enclosed supplement installation instructions for electrical and fixture installation onto house outlet box. If you do not have an outlet box at desired location to attach the fixture than hire a qualified electrician to create one.
4. Install light bulb (not included). See relamping label located near socket area for type and maximum allowed wattage.
5. Install shade and crown:
 - A. Carefully place shade inside of crown and lock into position by fastening with tab and short screws. Make certain shade is securely locked.
 - B. Slip shade and crown assembly through the long threaded pipe until crown is securely placed. Lock them into position by fastening with a flat washer and hex nut at bottom. **IMPORTANT: DO NOT OVER TIGHTEN.**
 - C. Slip cover and fasten with finial.



MURRAY FEISS

Generation Brands™