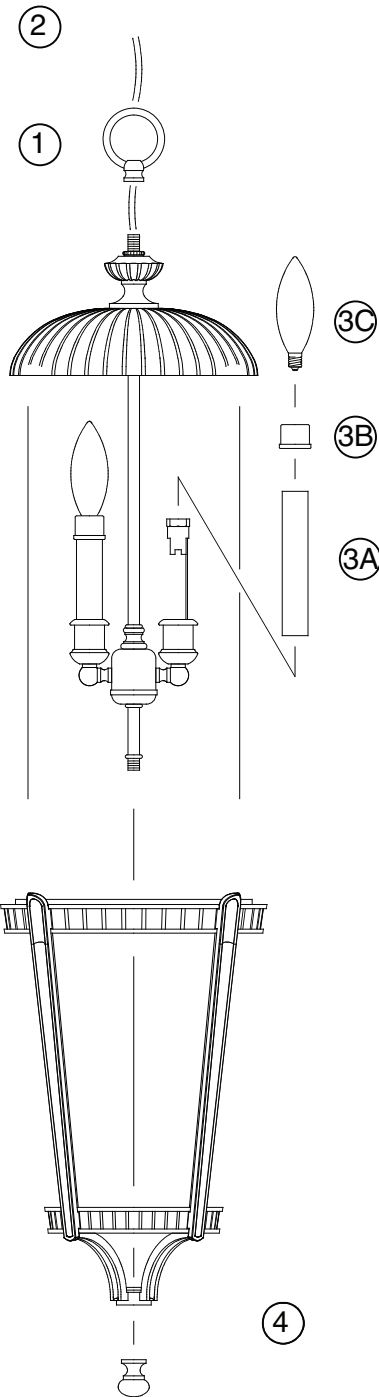


# Assembly Instructions For

# OL7711

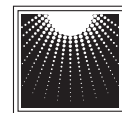
(E) 11/09



## **IMPORTANT TURN OFF THE POWER AT THE MAIN FUSE OR CIRCUIT BREAKER BOX BEFORE STARTING INSTALLATION**

Carefully unpack and identify all parts before assembly. Bulbs not included.

1. Slip fixture loop through fixture wires, and then install by screwing onto top of fixture.
2. Follow enclosed supplement installation instructions for electrical and fixture installation onto house outlet box. If you do not have an outlet box at desired location to attach the fixture then hire a qualified electrician to create one.
3. A. Slip candle tube over sockets.  
B. Install candle follower over candle tubes.  
C. Install type-B, candelabra base, of 60 Watt maximum bulbs (not included).
4. Then firmly holding onto cage, install onto main fixture by fastening with finial from below.



**MURRAY  
FEISS**

GENERATION  
BRANDS™ 