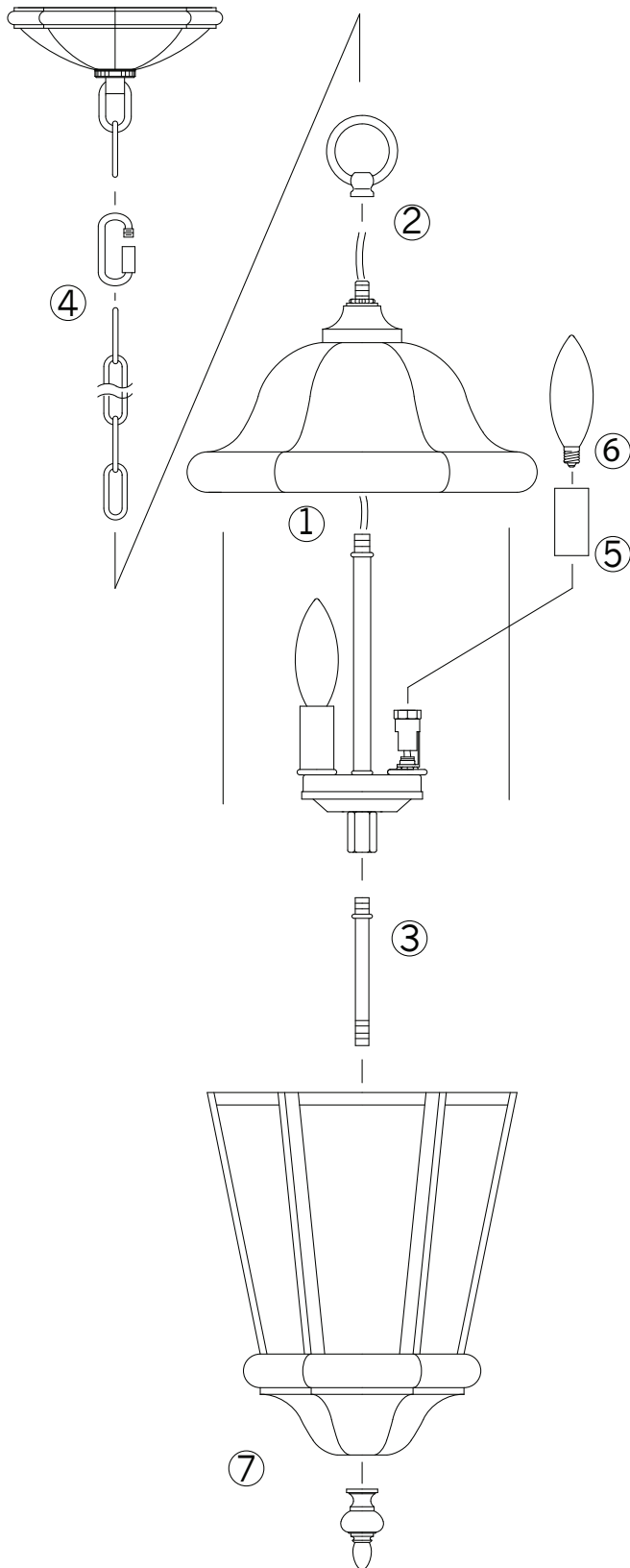


Assembly Instructions For

OL5911 (E) 12/11



IMPORTANT
TURN OFF THE POWER AT THE MAIN FUSE
OR CIRCUIT BREAKER BOX
BEFORE STARTING INSTALLATION

Carefully unpack and identify all parts before assembly. Bulbs not included.

1. Thread fixture wires, which are located above center pipe, through top cover. Then install top cover by screwing onto center pipe. Make certain to remove any slack in wires in between parts before screwing.
2. Carefully thread fixture wires through fixture loop. Screw fixture loop onto top threaded pipe until secure.
3. Install long threaded pipe by screwing into coupler located at bottom of socket assembly. Please note correct position of center pipe from left diagram.
4. Follow enclosed "Chain Suspended Fixture Installation Instructions" for electrical and fixture installation onto ceiling outlet box.
5. Slip candle cover tube onto sockets.
6. Install light bulb (not included). See relamping label at socket area for type and maximum allowed wattage.
7. Slide main frame through center pipe until it checks inside of top cover. Lock them into position by fastening with finial.

VISUAL COMFORT & Co.

GENERATION LIGHTING