

Milton Outdoor Wall

OL15100, OL15101, OL15103, OL15105-L1 | 1.0

GENERATION LIGHTING

Outdoor

GENERAL PRODUCT INFORMATION:

These fixtures are intended to be installed utilizing NEC compliant junction boxes.

This product is safety listed for wet locations.

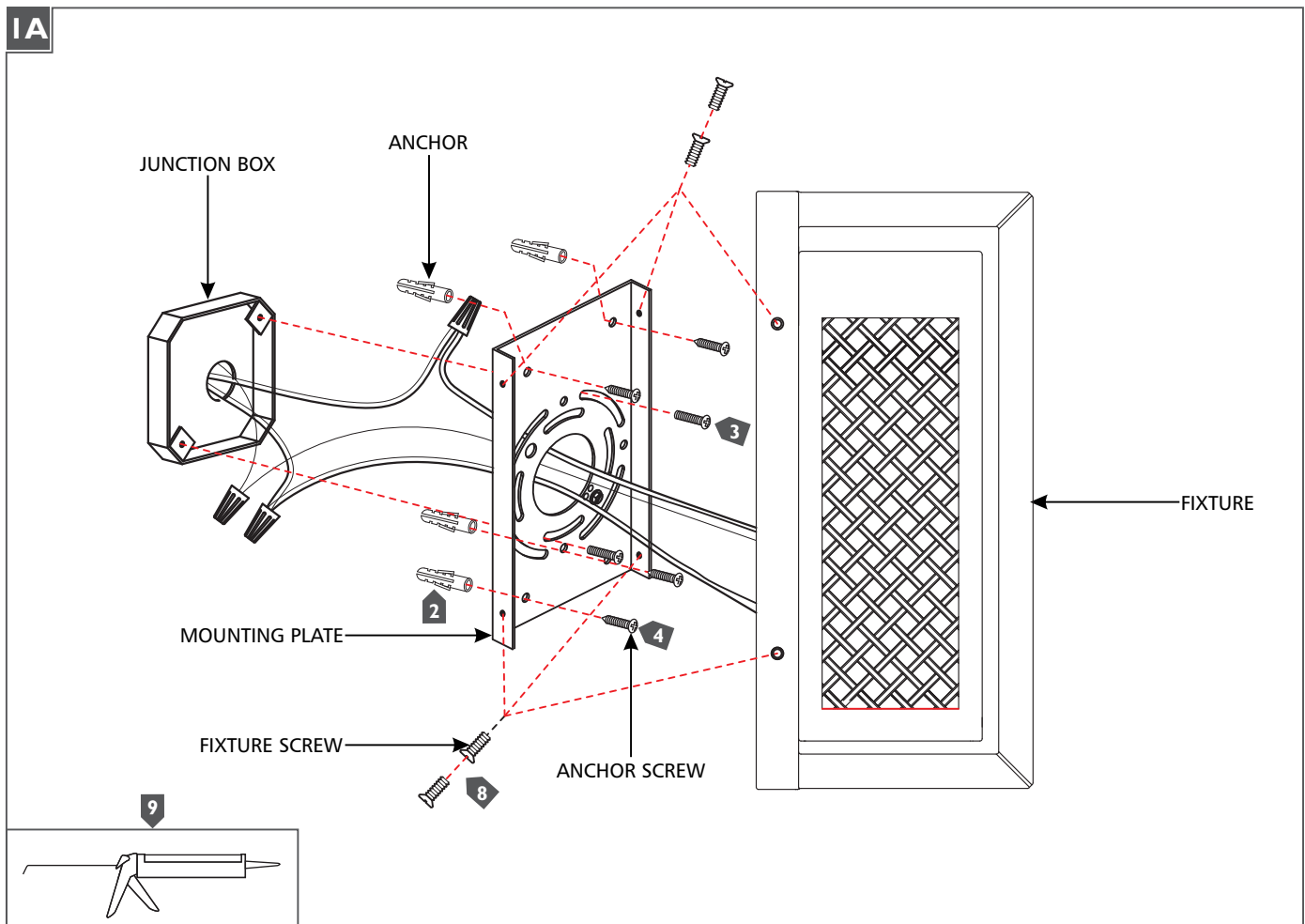
This product can be dimmed using a low-voltage electronic dimmer.

This instruction shows a typical installation.

CAUTION - RISK OF FIRE

This product must be installed in accordance with the applicable installation code by a person familiar with the construction and operation of the product and the hazards involved.

Use minimum 90°C supply conductors.



- 1** For Models OL15101, OL15103, and OL15105 Only: Temporarily install the mounting plate to the junction box and mark the anchor hole locations through the mounting plate holes. Remove the mounting plate.
- 2** For Models OL15101, OL15103, and OL15105 Only: Drill appropriate sized holes at the marked locations and install the anchors.
- 3** Secure the mounting plate to the junction box.
- 4** For Models OL15101, OL15103, and OL15105 Only: Screw the anchor screws into the anchors.
- 5** Connect the fixture to a suitable ground in accordance with local electrical codes.
- 6** Connect the white fixture wire to the neutral power line wire with a wire nut.
- 7** Connect the black fixture wire to the hot power line wire with a wire nut.
- 8** Mount the fixture base onto the mounting plate and secure it with the fixture screws.
- 9** For wet locations, caulk around the base of the fixture using waterproof construction sealant.

SAVE THESE INSTRUCTIONS!

GENERATION LIGHTING

7400 Linder Ave, Skokie, IL 160077

800.969.3347

www.generationlighting.com

© 2019 Generation Lighting. All rights reserved.

The "Generation Lighting" graphic is a registered trademark of Generation Lighting. Generation Lighting reserves the right to change specifications for product improvements without notification.