

# Standard Medallion Installation Instructions

# #2036

(E) 9/07

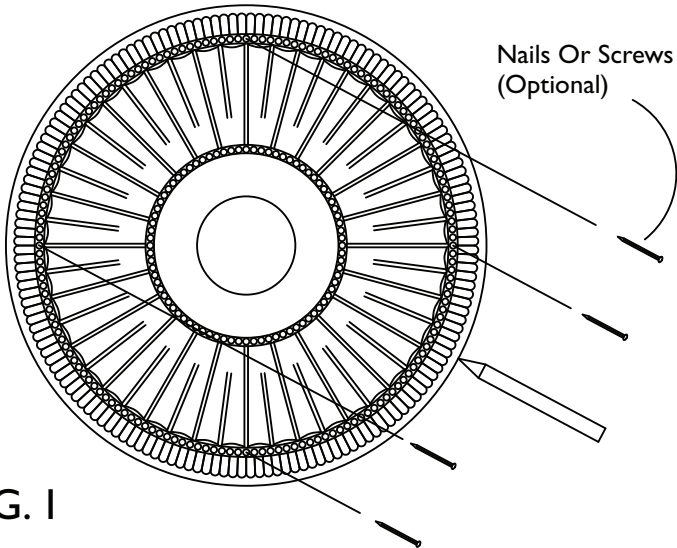


FIG. 1

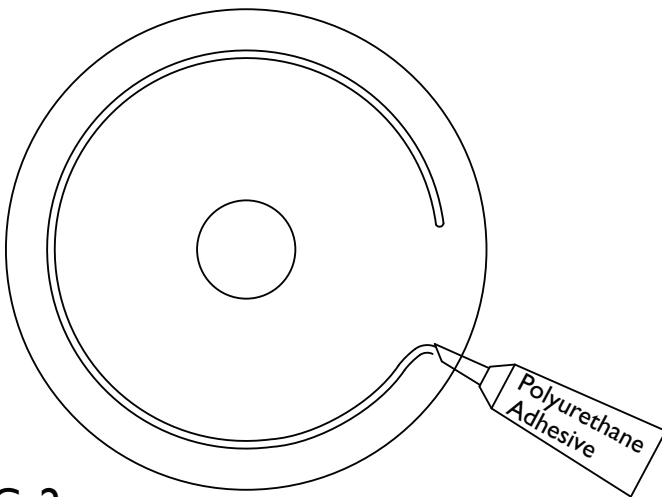


FIG. 2

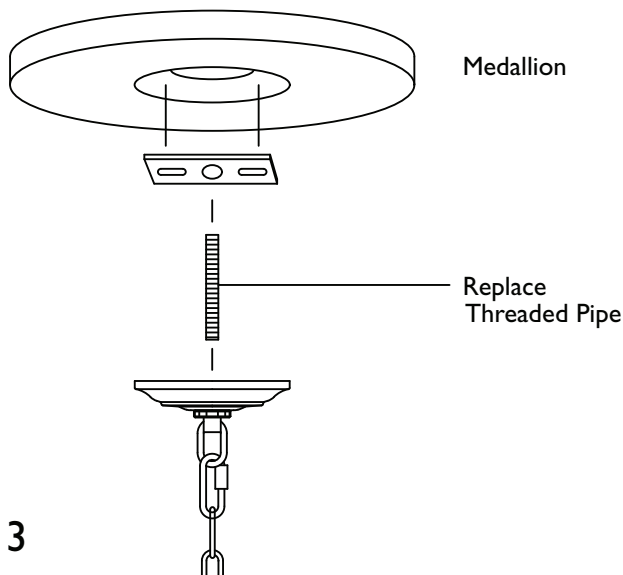
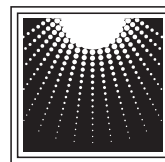


FIG. 3

Materials needed (not provided):

Polyurethane adhesive  
Pen or pencil  
Finishing nails or small drywall screws (optional)

1. Remove any existing fixtures from the ceiling.  
Caution: Make certain to turn power off at the circuit-breaker box.
2. Hold the medallion in place on the ceiling, centering the hole in medallion over the ceiling outlet box. Use a pencil or pen to lightly trace a line on the ceiling around the outside edge of the medallion.
3. **OPTIONAL:**  
If desired, finishing nails or small drywall screws can be used to further secure the medallion onto ceiling. Pilot install three or four nails (or screws) evenly spaced apart from each other onto front surface of the medallion. Note at this moment not to protrude the nails(or screws) through back side of medallion.
4. Apply polyurethane adhesive on the back side of the medallion staying approximately 1" away from edge.  
Note: apply just enough adhesive so that adhesive doesn't ooze out the sides when pressed against ceiling.
5. Press the medallion in place on the ceiling, lining it up with the penciled guideline. If installed, drive the finish nails (or screws). If any adhesive runs out the edge of medallion then use a wet tissue or cloth immediately to remove the excess. To hide any visible screw heads, if installed, use drywall compound to seal over for a finish look.
6. When existing or new lighting fixture is installed, please replace the canopy threaded pipe that comes with the lighting fixture with the longer threaded pipe included with the medallion. See fig. 3.



**MURRAY**  
**F E I S S**

Generation Brands™