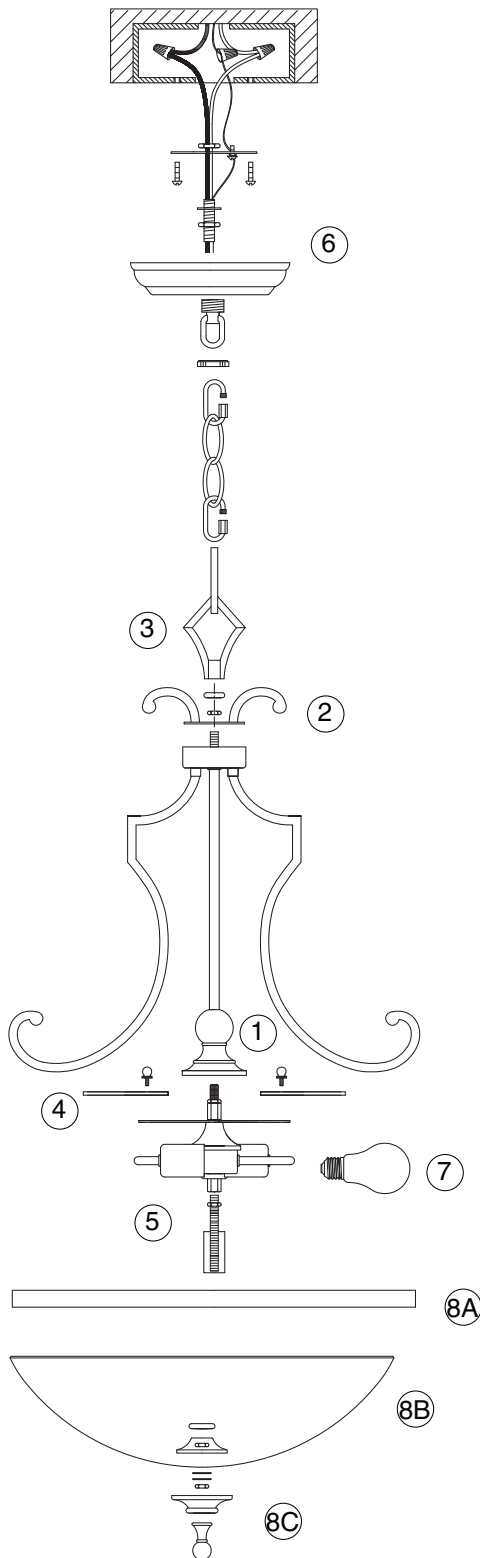


Assembly Instructions For

F2571/3

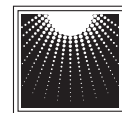
(E) 12/09



IMPORTANT TURN OFF THE POWER AT THE MAIN FUSE OR CIRCUIT BREAKER BOX BEFORE STARTING INSTALLATION

Carefully unpack and identify all parts before assembly.
Bulbs not included.

1. Install socket assembly onto center column.
2. Place top assembly on top of fixture and tighten with hex nut.
3. Slip fixture loop through fixture wires. And then securely by screwing on top of center column.
4. Install diffuser to socket assembly with cap nuts.
5. Thread threaded pipe into copuler and tighten with hex nut.
6. Follow enclosed supplement installation instructions for electrical and fixture installation onto house outlet box. If you do not have an outlet box at desired location to attach the fixture then hire a qualified electrician to create one.
7. Install bulbs (not included). See relamping label located near socket area for type and maximum allowed wattage
8. A. Place ring onto shade.
B. Slip shade and top cap through center pipe until it securely checks into bottom of spacer tube. Secure in position by fastening with a flat washer and hex nut. Do not over tighten.
C. Install font by fastening with finial.



**MURRAY
FEISS**

GENERATION
BRANDS™