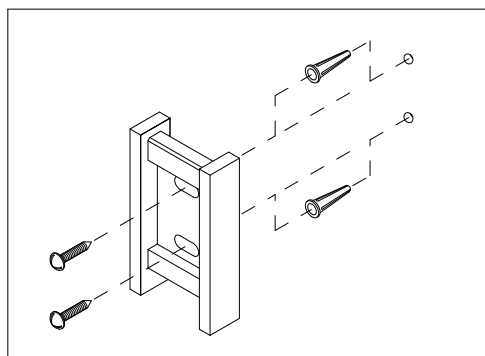
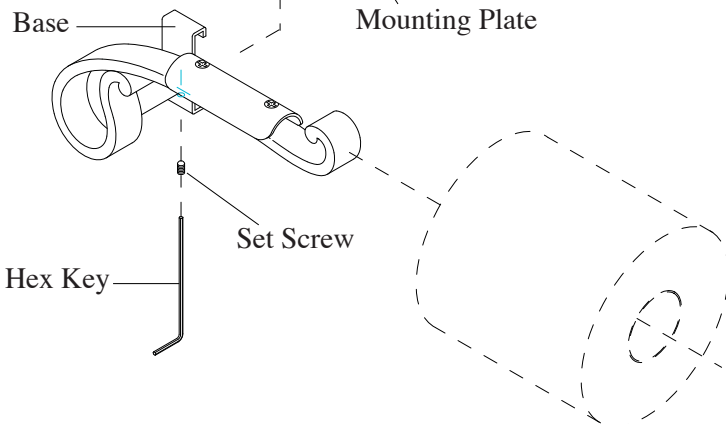
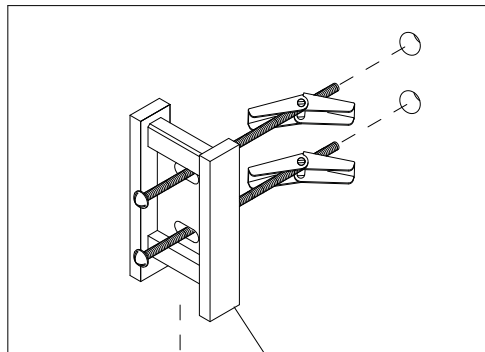


WOOD WALL or MANSIONRY WALL or TILE ON MANSIONRY WALL INSTALLATION:



DRY WALL or TILE ON DRY WALL INSTALLATION:



1. Hold base of the product on desired wall location and lightly mark outline of base. Place mounting plate in vertical position at center of marked outline and mark a dot at center of each two slotted holes. NOTE: See Fig. 1 for correct position of mounting plate.

2. **Dry wall or Tile on Dry Wall Installation:** Pre-drill holes using 3/8" drill bit. (Tile on dry wall installation requires 3/8" masonry drill bit)

Wood Wall Installation: Pre-drill holes using 1/8" drill bit.

Masonry Wall or Tile on Masonry Wall Installation: Pre drill holes using 3/16" masonry drill bit)

3. **Dry Wall or Tile on Dry Wall Installation:** Insert machine screws thru two slotted holes in mounting plate. Thread butterfly anchors into machine screws as shown in diagram. Pinch together the ends of butterfly anchors and push into predrilled 3/8" holes until anchors spring open inside of wall. While pulling mouting plate away from wall, tighten screws with a screw driver.

Wood Wall Installation: Insert sheet metal screws thru two slotted holes in mounting plate. Fasten screws directly into predrilled 1/8" holes.

Masonry or Tile on Masonry Wall Installation: Insert plastic anchors into pre-drilled 3/16" holes. Insert sheet metal screws thru two slotted holes in mounting plate. Fasten screws into plastic anchors.

4. Mount the product onto mounting plate and tighten set screw at bottom of base with provided hex key.

Care and Cleaning Instructions

Using a soft cloth or sponge wash with warm and soapy water. Do not use abrasive cleaners or cleaner containing bleach.

